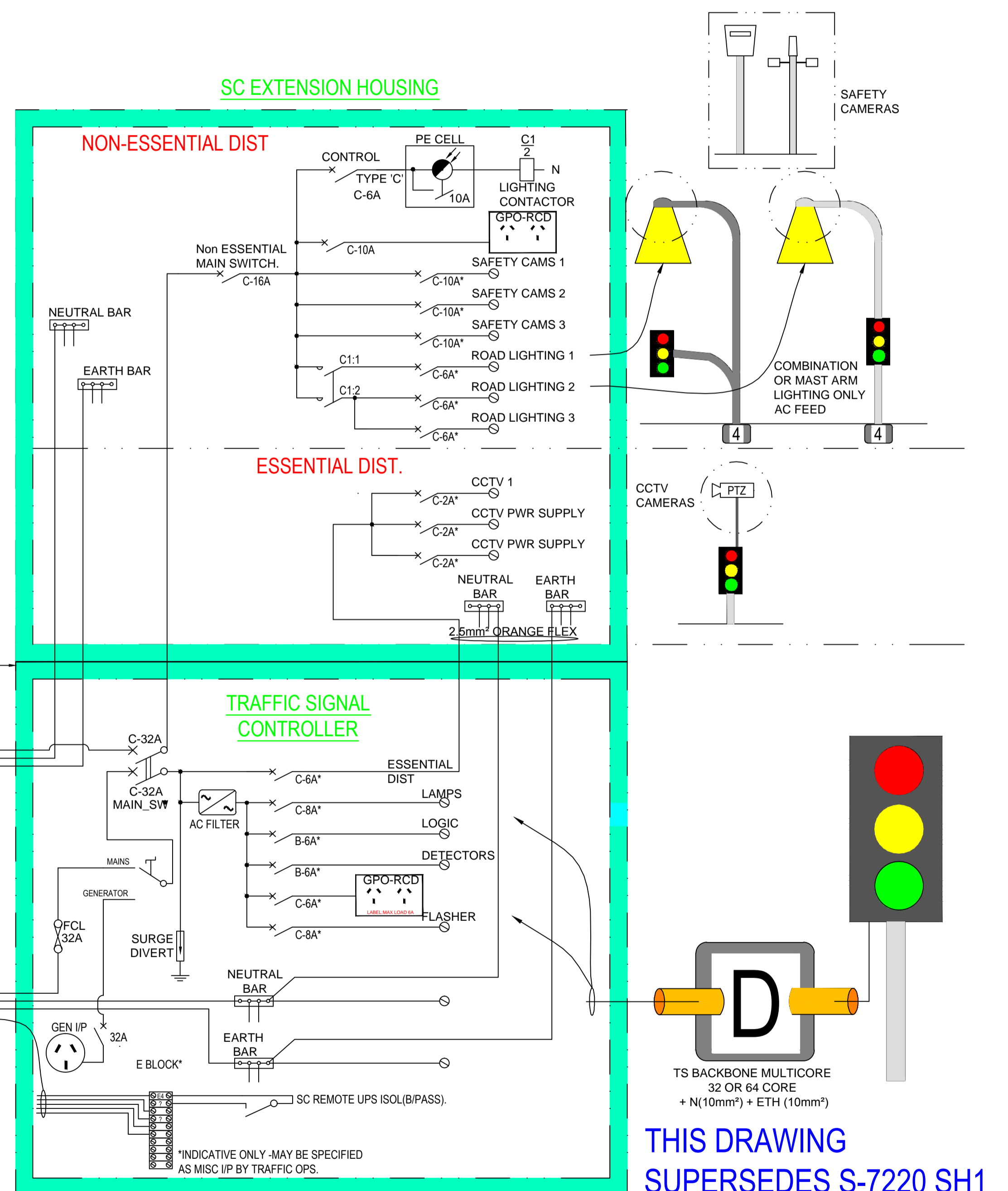
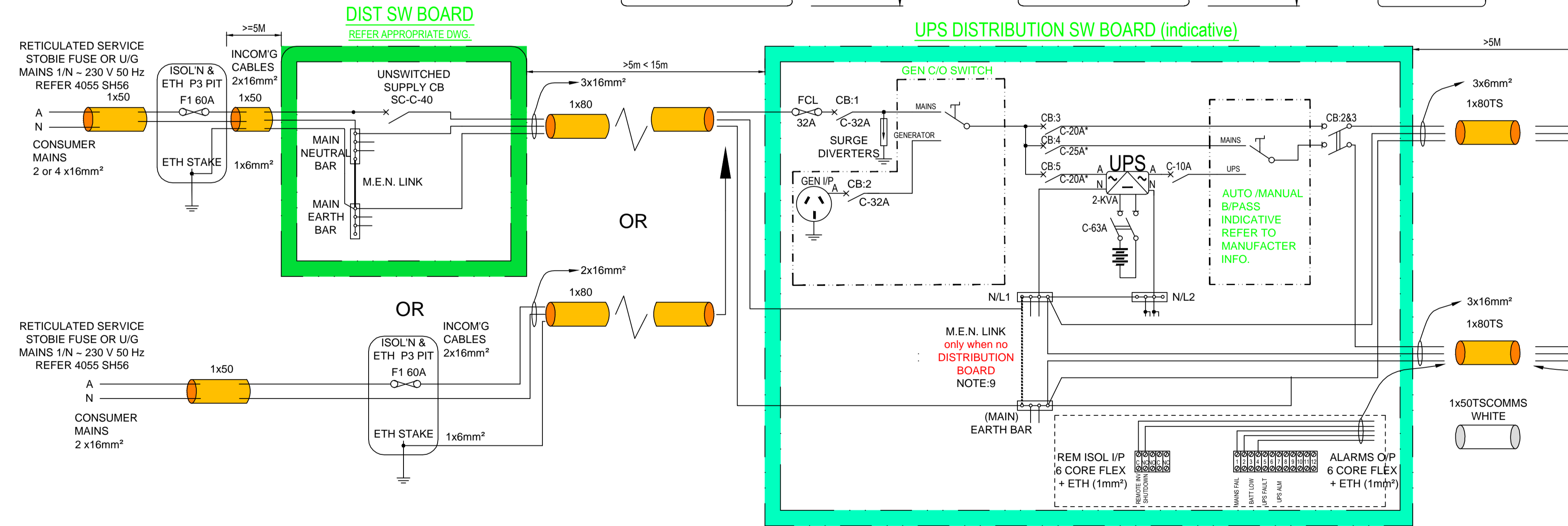


NOTES:

1. Consumer & sub-Mains cable sizes are minimum specified. The design drawings may specify larger sizes as specified by AS3000.
2. TS input circuit breaker to be changed to 2 pole 32A type 'C' located in the same position in the SC.
3. TS Controller GPO circuit breaker changed to 6A and GPO labeled as 'Restricted Use Only'.
4. Essential Load Centre in the extension housing feed circuit breaker (C-10A) to be added to the signal Controller.
5. Labelling on exterior and interior of Signal Controller, combination and/or combination mast arm poles indication 'DUAL SUPPLY ISOLATE BOTH NORMAL AND INVERTER SUPPLIES BEFORE WORKING ON THIS SWITCHBOARD'.
6. For details of DPTI distribution switchboards refer S-4055 sh 43,54,55,57, or 71.
7. For details of DPTI isolation earth pit refer S-4055 sh 56.
8. For details of the latest standard pit & switchboard drawings refer to Technical Standards & Guidelines (Road & Marine).
9. All sub-mains earthing conductors are to be the same size as the active & neutral cables.
10. (*) All circuit breaker sizes are 'Nominal' unless otherwise specified by the Manufacturer or DPTI.



THIS DRAWING SUPERSEDES S-7220 SH1

No.	AMENDMENT DESCRIPTION	BY	CHECK	ACCEPTANCE	DATE

Government of South Australia
Department of Planning, Transport and Infrastructure

UNCONTROLLED COPY WHEN PRINTED | 100 MILLIMETRES ON ORIGINAL DRAWING | ALL DIMENSIONS ARE IN MM UNLESS SHOWN OTHERWISE

PROJECT No.: XXXXX	FILE No.: XX/XXXXX
DESIGN No.: 201300588	SURVEY No.: -
PROJECT START ROAD RUNNING DISTANCE: N/A	
PROJECT END ROAD RUNNING DISTANCE: N/A	

SCALES: 0.2 0 0.1 0.2 0.3 0.4 | 1:10

STANDARD DRAWING SIGNAL CONTROLLER -UPS DISTRIBUTION GENERAL LAYOUT & INTERCONNECTIONS-SLD GENERAL USE TYPE 'STANDARD' SIGNAL CONTROLLER C/B CONFIGURATION					
DESIGNED: GG	DRAFTED: GG	ACCEPTED FOR USE: K NOBLE	ACCEPTANCE FORM KNET No.: 11047362	DRAWING No.: S-4055	SHEET No.: 0073
CHECKED: KN		DATE: 22.08.2017	IN ACCORDANCE WITH DP013	SHEET LATITUDE N/A	SHEET LONGITUDE N/A