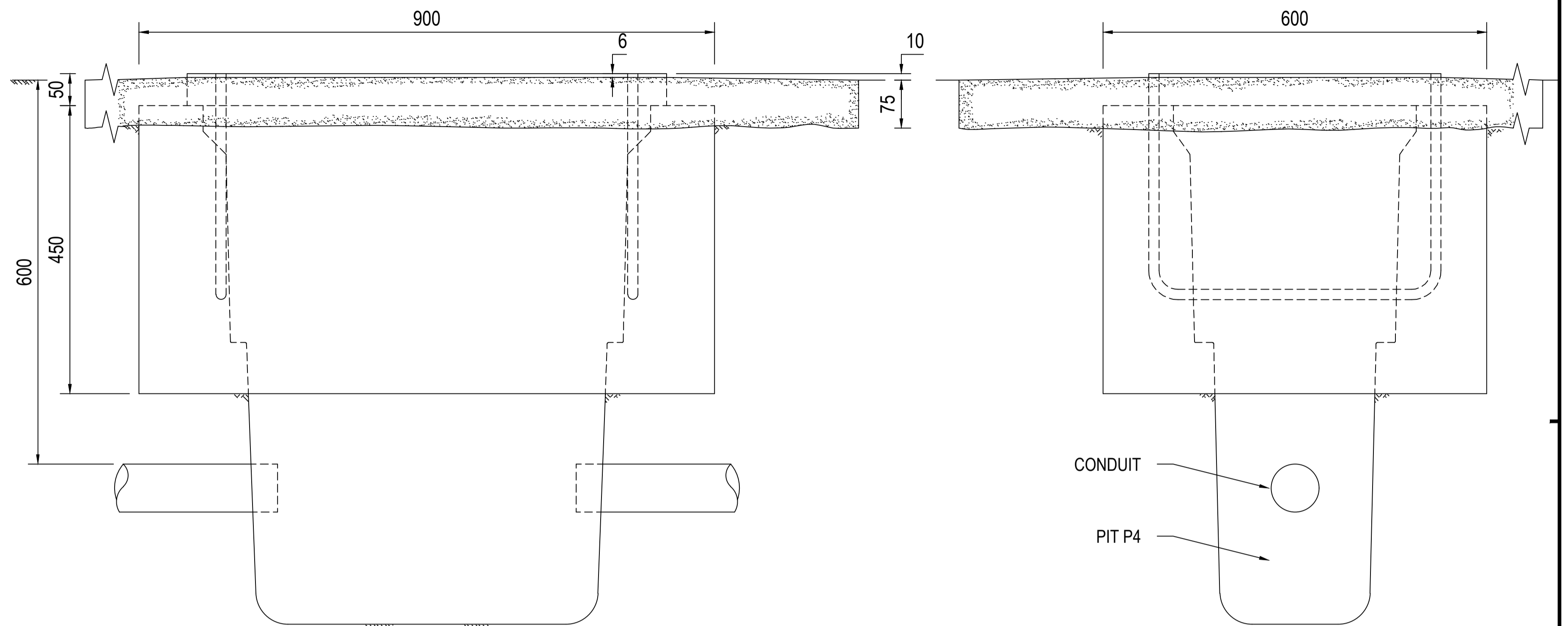
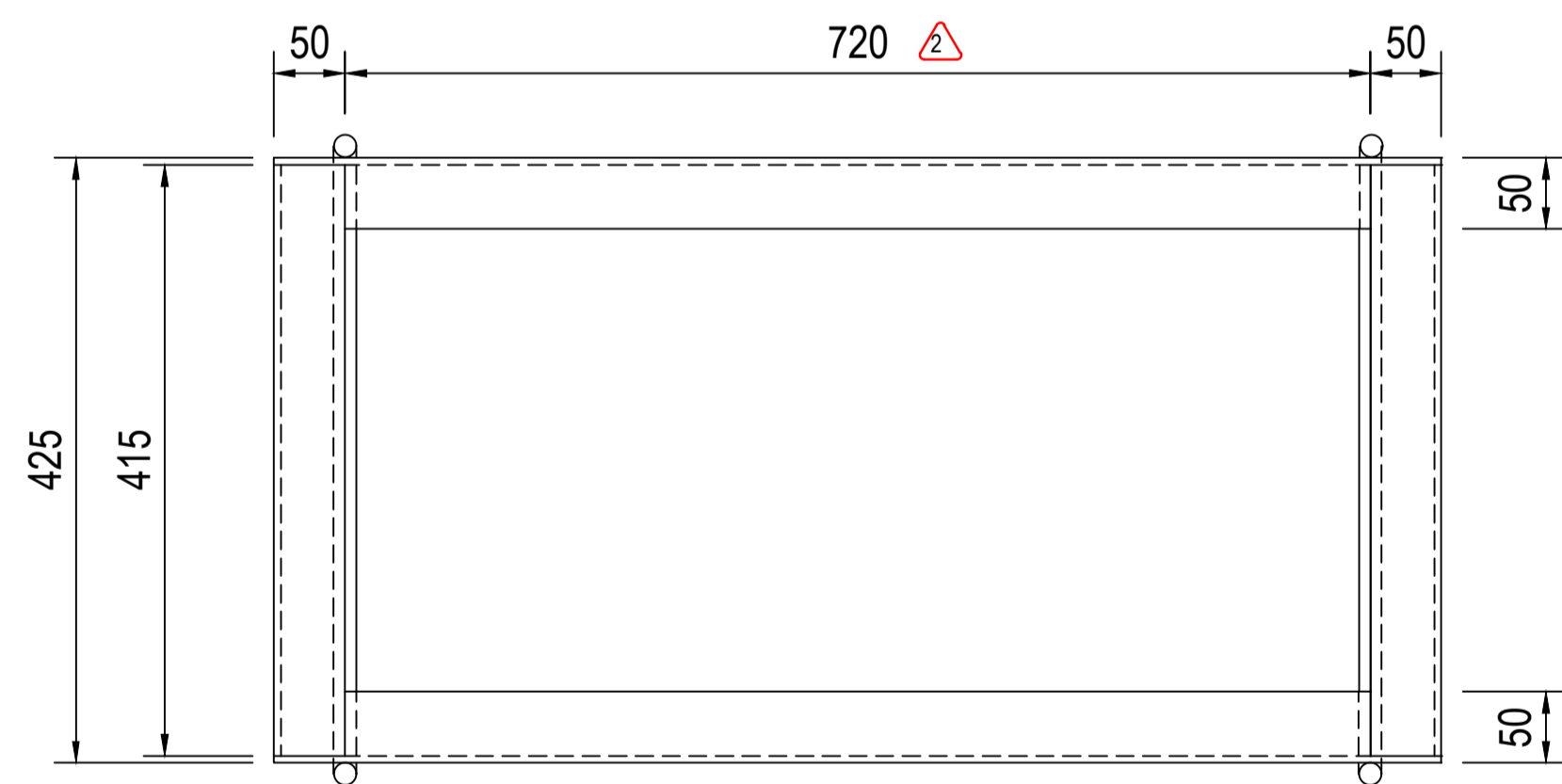


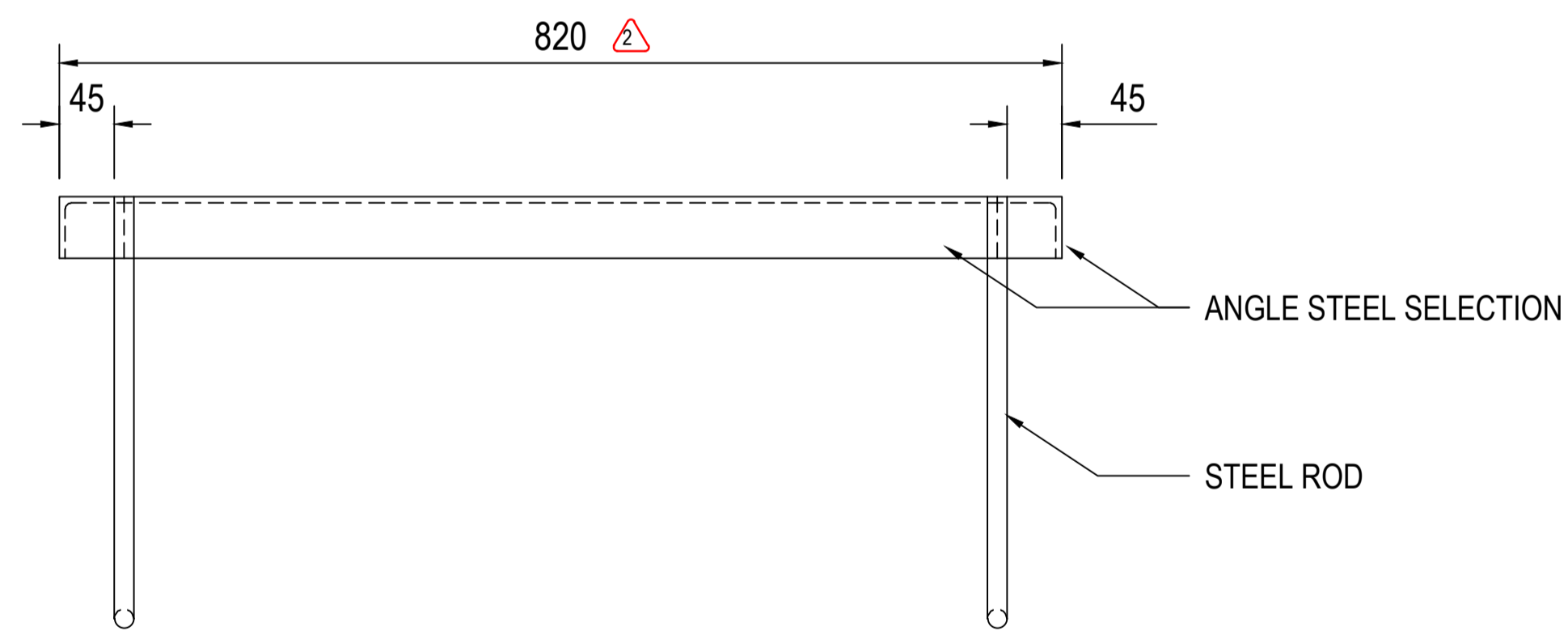
INSTALLATION DETAIL



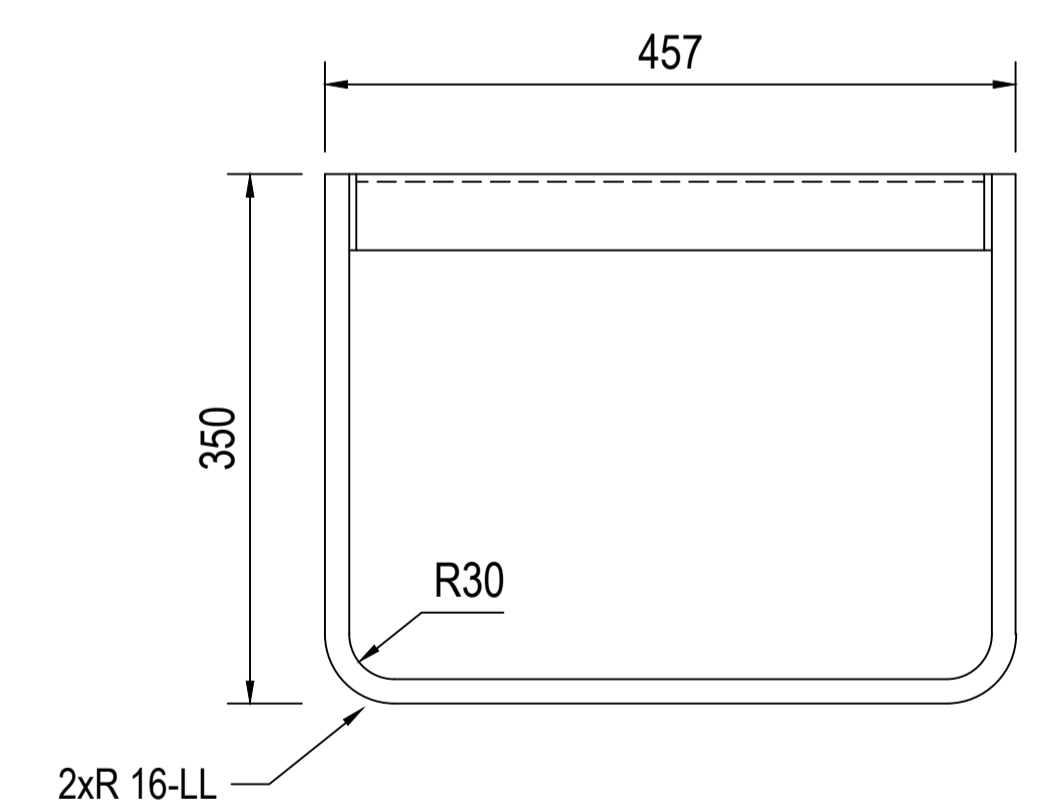
SUPPORT FRAME DETAIL



TOP



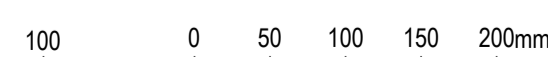
SIDE



END

NOTES:

1. FRAME 50x50x50mm ANGLE STEEL SECTION COMPLETELY FILLET WELDED ON INSIDE OF BUTT JOINT.
2. U BOLT 16 DIA. STEEL ROD FILLET WELDED ON BOTH SIDES TO THE ANGLE IRON FRAME. EACH WELD TO BE 50mm LONG.
3. FINISH HOT DIP GALVANISED.
4. PIT TYPE P4 PLASTIC ELECTRICAL JUNCTION PIT (VIPIT OR SIMILAR).
5. DUCTS a) ALL ELECTRICAL DUCTS TO PROTRUDE 25mm INSIDE PIT.
b) TELSTRA DUCT TO BE CONTINUOUS TO THE LINE TERMINATION BOX ON THE SIDE OF THE SIGNAL CONTROLLER CABINET.
6. REFER TO TRAFFIC SIGNAL CONDUIT DRAWING FOR NUMBER AND ORIENTATION OF DUCTS.



100 MILLIMETRES ON ORIGINAL DRAWING

DESCRIPTION	NO.	DATE	RESP	AUTHORISED	TCD AMENDTS APPROVED FOR E.D.	TSA 27 DATE	TECH. DETAILS APPROVED FOR E.D.	CONSTRUCTED DATE
DIMENSIONS OF SUPPORT FRAME ALTERED	1	5.8.21	LM	D NAYAK	5.8.21	YAN XIAO		
REDRAWN TO AUTOCAD. NOTE 6 ADDED.	1	9/01	MMPL	BJM/RB	7.12.01	P BLAKE		

AMENDMENTS

TRANSPORT SA



STANDARD DRAWING
PAVEMENT MOUNTED CONTROLLER

BASE DETAILS

DESIGN B.J.D.		PROJECT START : PRP. STPRP		PROJECT END : PRP. ENDRP	
DRAWN T.J.C. 23.03.92	G. WOOLDRIDGE	PROJECT NO	SURVEY	FILE	
CHECKED B.J.D.		AMEND	SHEET	DRG	
APPROVED D. FITZSIMONS FOR EXECUTIVE DIRECTOR DATE 24/3/92		2	3	S-4512	

4512.dwg 7/9/2001