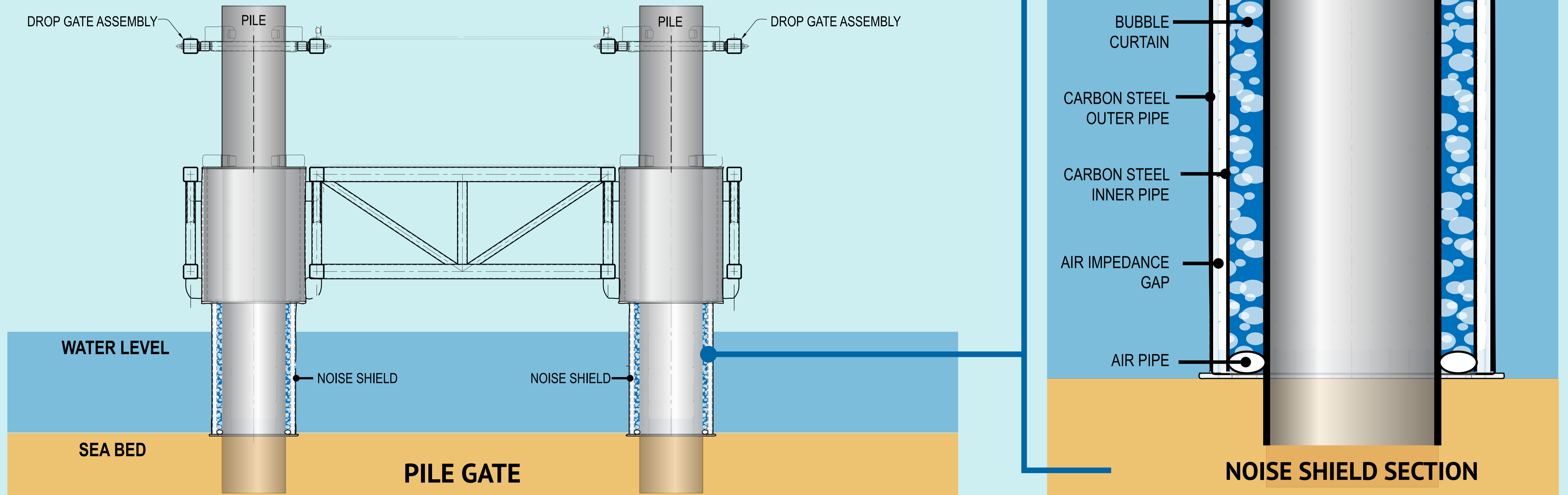




Marine piling gate

A modified piling gate, incorporating innovative best practice air impedance gap and air bubbles, will be used during pile driving to significantly reduce underwater noise transmission.

This has been modelled by underwater noise specialists and reduces any behavioural and physical impacts to marine mammals to less than 200m, well within the 1km marine exclusion zone.



DIT.gicauseway@sa.gov.au

1300 794 880

Follow us on:



Government of South Australia



BUILDING WHAT MATTERS