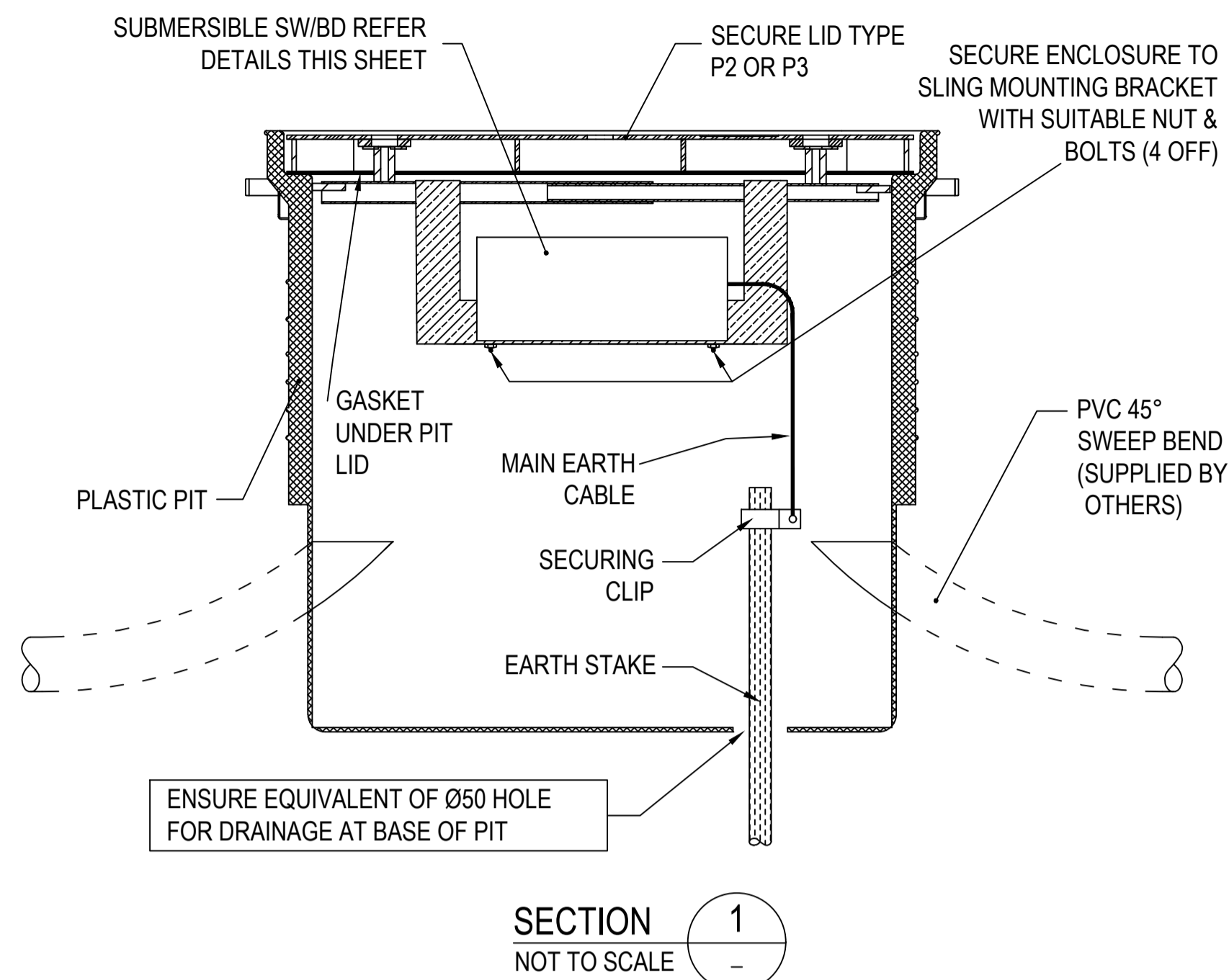
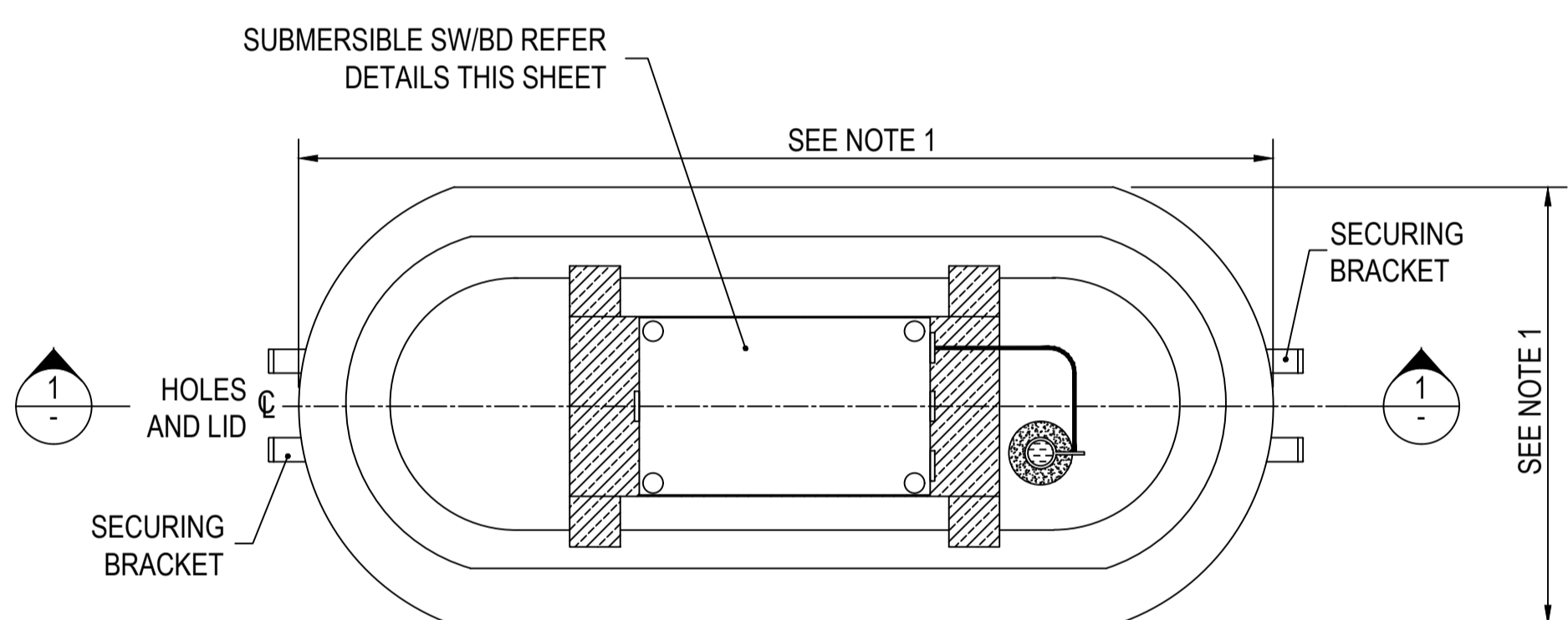


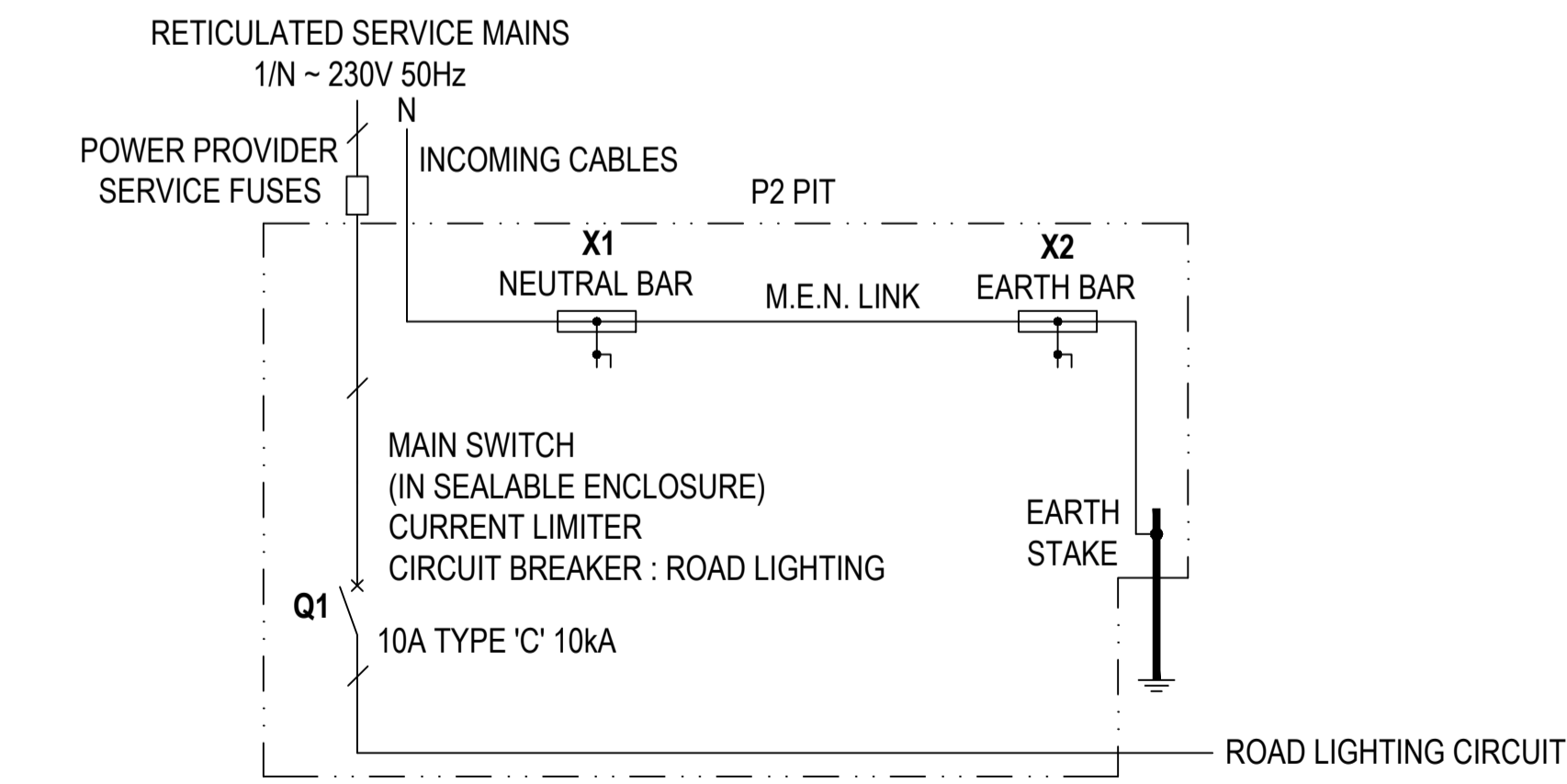
# SUBMERSIBLE SWITCH BOARD



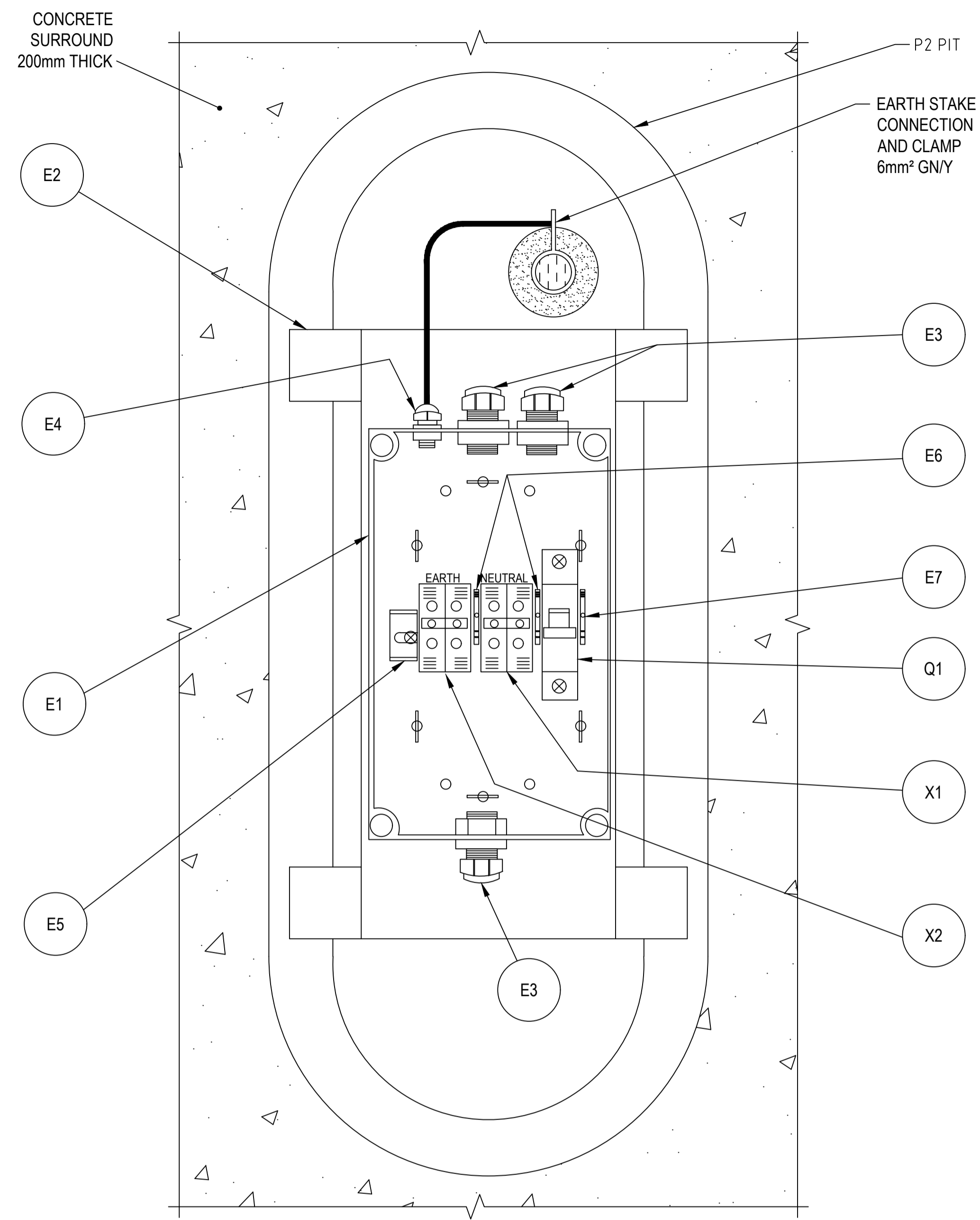
SUBMERSIBLE SWITCH BOARD - PLASTIC PIT TYPE P2 OR P3 - SIDE VIEW



SUBMERSIBLE SWITCH BOARD - SECURE PIT TYPE P2 LID REMOVED - TOP VIEW  
NOT TO SCALE  
SEE NOTE 2



SUBMERSIBLE SWITCHBOARD SINGLE LINE DIAGRAM  
NOTE 3.



SUBMERSIBLE SWITCHBOARD CONCRETE PIT SURROUND - WITH LID REMOVED - PLAN VIEW  
SCALE 1:2

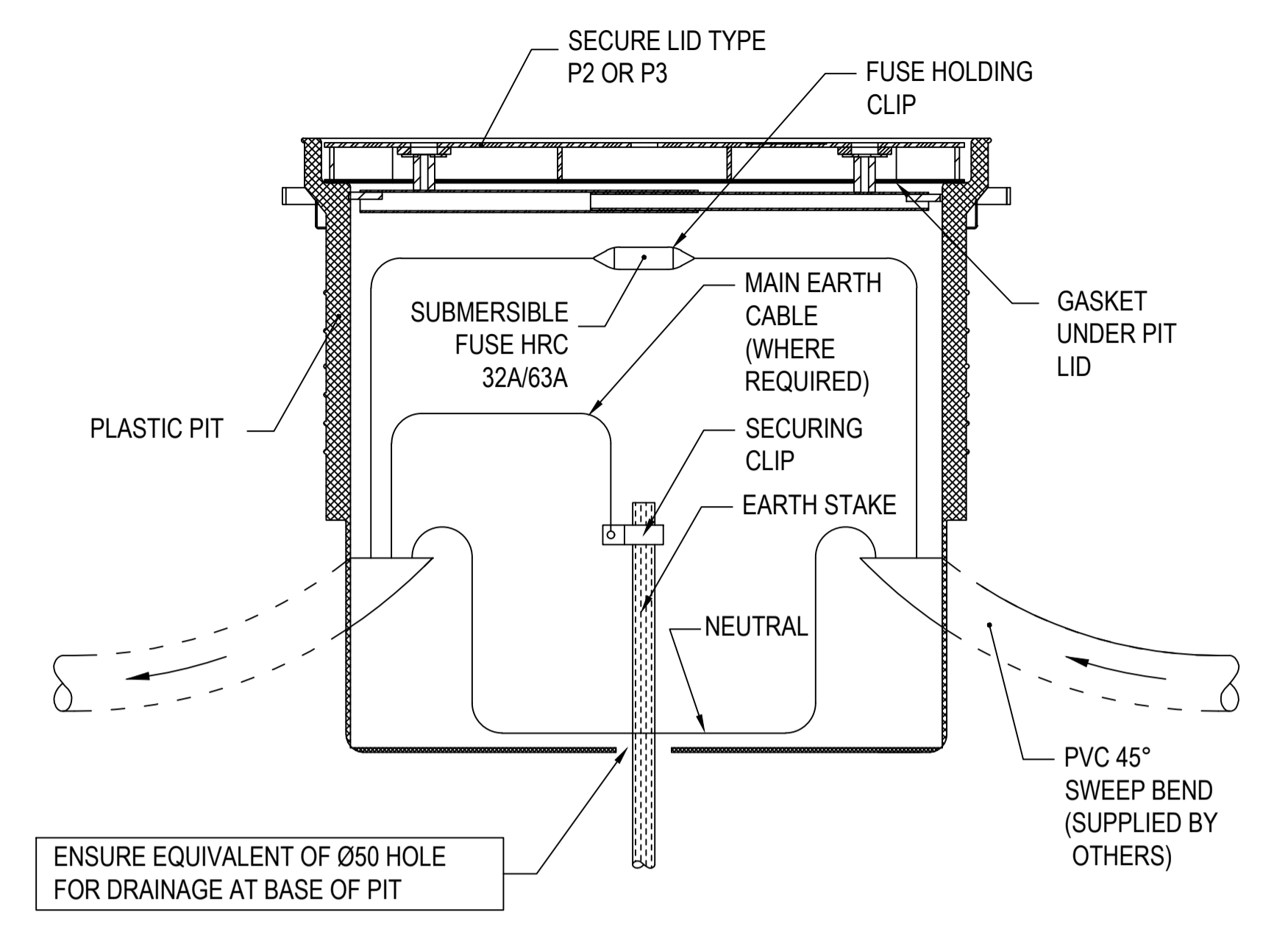
## EQUIPMENT SCHEDULE

(EQUIPMENT ITEMS CAN BE SUBSTITUTED WITH AN EQUIVALENT - WHERE APPROVED BY THE PRINCIPAL.)

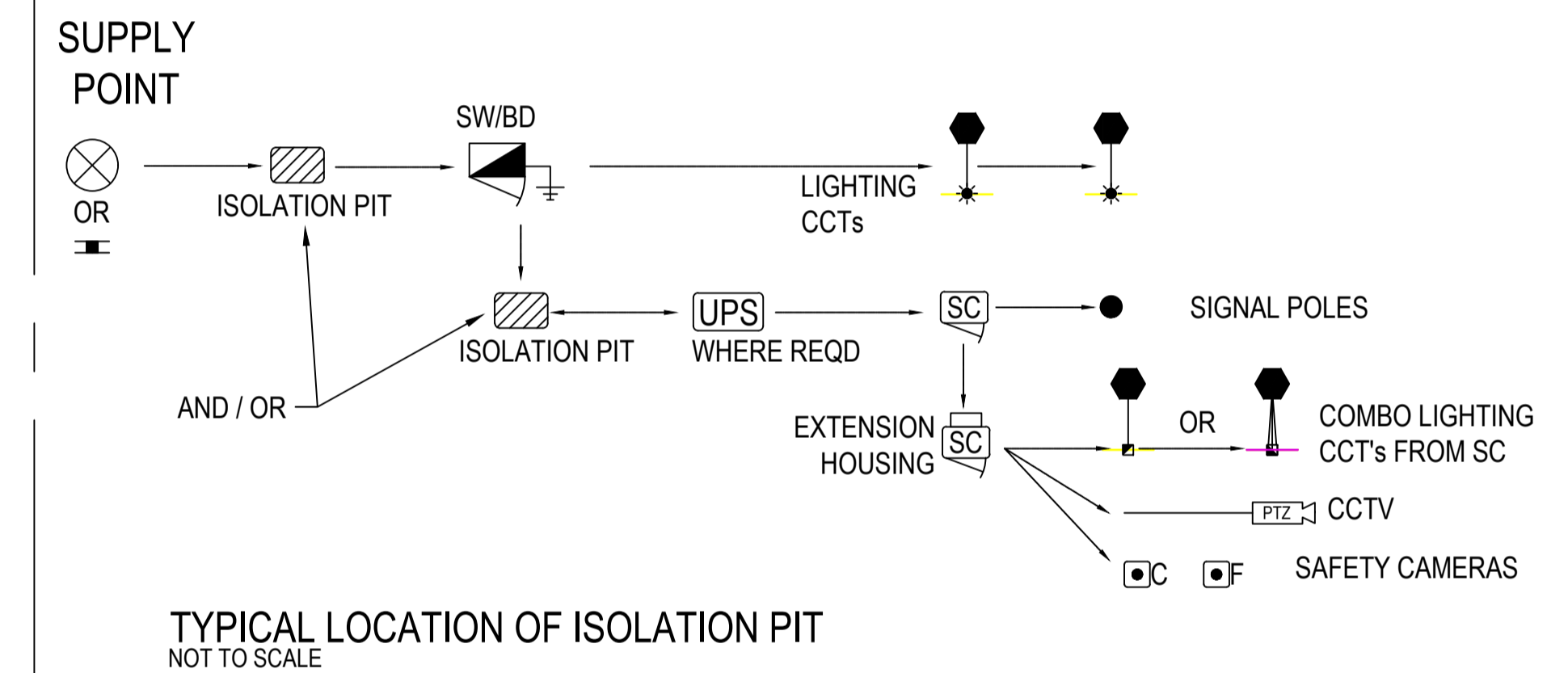
REF.	ITEM DESCRIPTION	QTY.
E1	POLYCARBONATE ENCLOSURE WITH CLEAR LID 140 x 230 X 95 HEIGHT (EXTERNAL DIMENSIONS)	1
E2	SLING MOUNTING BRACKET - 3MM STEEL PLATE - GALVANISED TO SUIT P2 PIT	1
E3	CABLE GLAND - IP68 - BLACK - THREAD DIAMETER M20	3
E4	CABLE GLAND - IP68 - METAL CLAD - THREAD DIAMETER M25	1
E5	DIN RAIL 35 x 128 LONG	1
E6	SPACERS FOR DIN35 RAIL	2
E7	END BLANK FOR DIN35 RAIL	1
X1, X2	TERMINAL FOR 16MM² CABLES	4
Q1	CIRCUIT BREAKER 1P 10A 6KA C60N TYPE 'C'	1

- NOTES:
- FOR PIT INSTALLATION DETAILS INCLUDING CONCRETE SURROUND AND PIT DIMENSIONS REFER TO DRAWING S-4055, SHEETS 66 - 70..
  - REFER TO DRAWING S-4055 SHEET 67 OR 68 FOR SECURE LID.(AS DRAWN FOR P2, OTHER PITS SIMILAR)
  - ALL CIRCUIT BREAKERS TO BE TYPE 'C', EXCEPT WHERE REQUIRED FOR SPECIFIC PROJECT NEEDS.

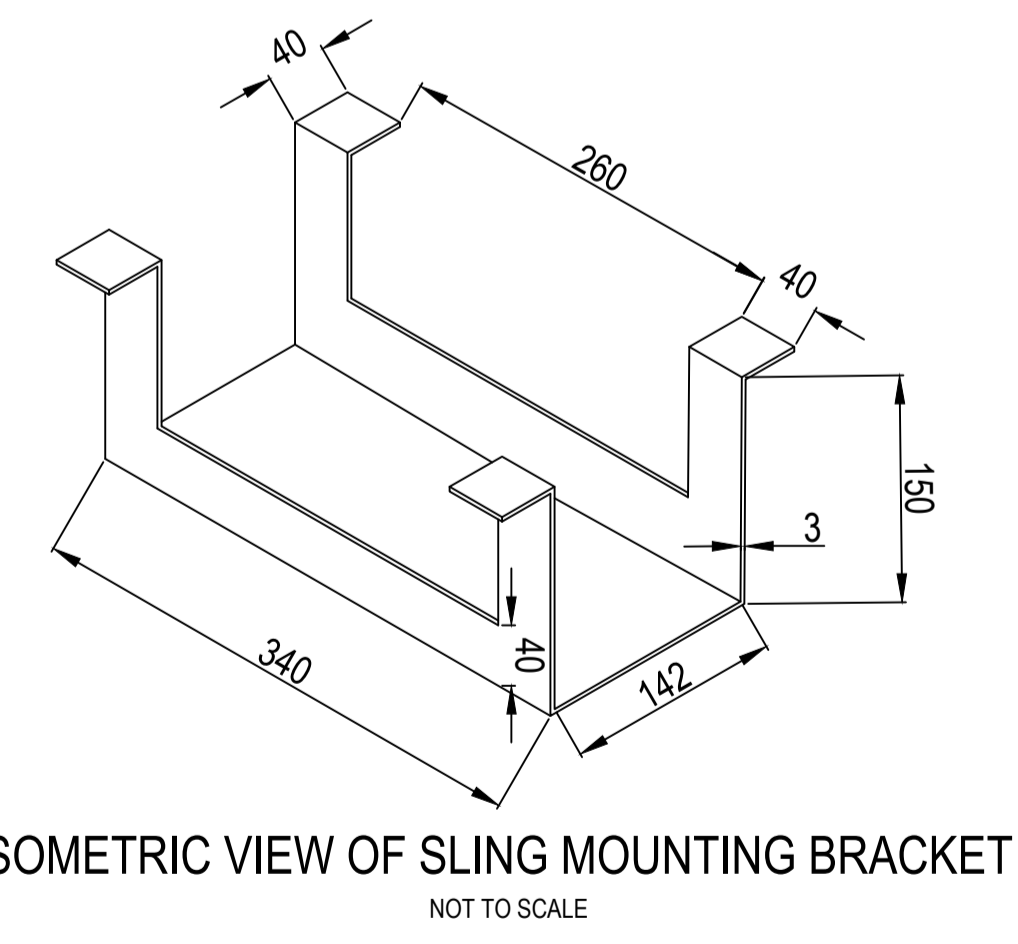
# UNDERGROUND ISOLATION PIT



UNDERGROUND ISOLATION PIT - PLASTIC PIT TYPE P2 OR P3 - SIDE VIEW  
NOT TO SCALE



TYPICAL LOCATION OF ISOLATION PIT  
NOT TO SCALE



ISOMETRIC VIEW OF SLING MOUNTING BRACKET  
NOT TO SCALE

THIS SHEET SUPERSEDES S-4530 SHEET 5.

No.	AMENDMENT DESCRIPTION	BY	CHECK	ACCEPTANCE	DATE
2	TITLE BLOCK ALIGNED WITH STANDARD DRAWINGS. DIMENSIONS ADDED TO BRACKET SWITCHBOARD DRAWING MADE LARGER	SJK/SA	JB	YANYAN XIAO	14/2/20
1	UPDATED TILE BLOCK ADDED CROSS SECTIONS FOR SWITCHBOARD AND ISOLATION PITS	MD	GG	GG	20.11.2015

UNCONTROLLED COPY WHEN PRINTED

100 MILLIMETRES ON ORIGINAL DRAWING

ALL DIMENSIONS ARE IN MM UNLESS SHOWN OTHERWISE

**Government of South Australia**  
Department of Planning, Transport and Infrastructure

PROJECT No.: XXXXX	FILE No.: XX/XXXXX
DESIGN No.: 201300588	SURVEY No.: -
PROJECT START ROAD RUNNING DISTANCE: N/A	
PROJECT END ROAD RUNNING DISTANCE: N/A	
SCALES: AS SHOWN	

STANDARD DRAWING  
**ELECTRICAL ASSETS**  
ELECTRICAL SERVICES  
SINGLE PHASE SUBMERSIBLE SWITCHBOARD / ISOLATION PIT USING P2 OR P3 PITS

DESIGNED: SJK	DRAFTED: SJK	ACCEPTED FOR USE: J. LANE	ACCEPTANCE FORM KNET No.: 8331970	DRAWING No.: S-4055	SHEET No.: 56	AMEND No.: 2
CHECKED: GG	CHECKED: GG	TITLE: MANAGER P & D	DATE: 12.02.2014			

IN ACCORDANCE WITH DP013 SHEET LATITUDE N/A SHEET LONGITUDE N/A

CAD FILE NAME: S4055 SHEET 10556-AND 2.DWG