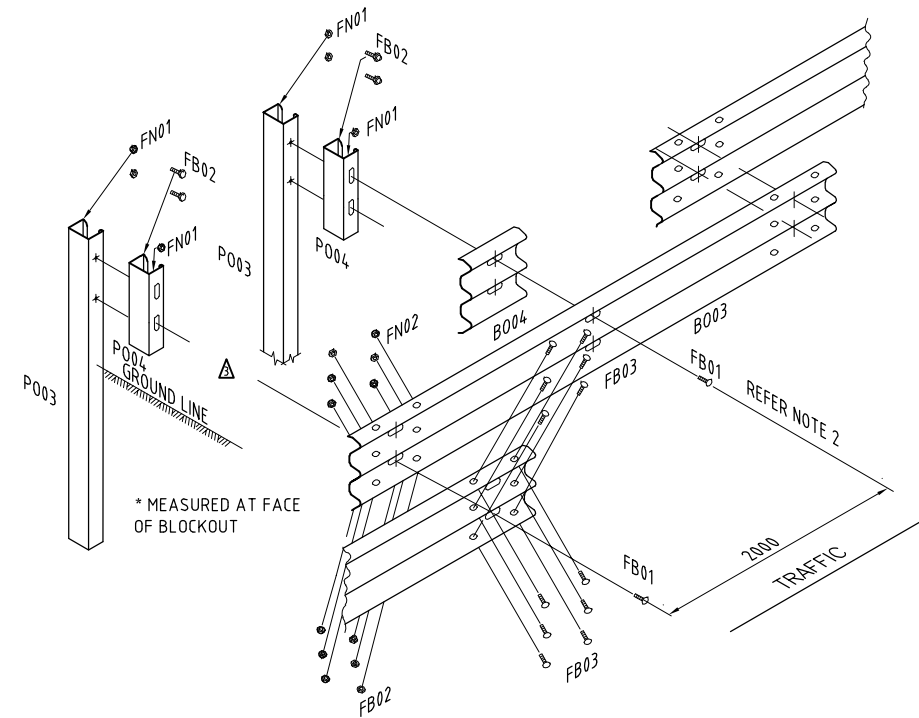


W BEAM ASSEMBLY
SCALE NTS

SCHEDULE OF COMPONENTS / 4m RAIL LENGTH

ITEM NO	DESCRIPTION	QTY
P001	1800 STEEL POST FOR W BEAM	2
P002	360 BLOCKOUT	1/POST
B001	4000 W BEAM RAIL	1
B002	300 W BEAM STIFFENING PIECE	1
FB01	M16x50 MUSHROOM HEAD BOLT	1/POST
FB02	M16x30 HEXAGON BOLT	2/POST
FB03	M16x32 MUSHROOM HEAD BOLT	8/SPLICE
FN01	M16 NUT	3/POST
FN02	M16 OVERSIZED NUT (18 DEEP)	8/SPLICE



STANDARD THRIE BEAM ASSEMBLY
SCALE NTS

SCHEDULE OF COMPONENTS / 4m RAIL LENGTH

ITEM NO	DESCRIPTION	QTY
P003	2100 STEEL POST FOR THRIE BEAM	2
P004	550 BLOCKOUT FOR THRIE BEAM	1/POST
B003	4000 THRIE BEAM RAIL	1
B004	300 THRIE BEAM STIFFENING	1/RAIL
FB01	M16x50 MUSHROOM HEAD BOLT	2/POST
FB02	M16x30 HEXAGON BOLT	4/POST
FB03	M16x32 MUSHROOM HEAD BOLT	12/SPLICE
FN01	M16 NUT	3/POST
FN02	M16 OVERSIZED NUT (18 DEEP)	12/SPLICE

NOTES

- GENERAL**
- PUBLIC DOMAIN PRODUCTS TO BE USED ONLY TO MAINTAIN EXISTING INSTALLATIONS.
 - RAIL LAPS, POST AND BLOCKOUT ORIENTATION IN RELATION TO TRAFFIC DIRECTION AS SHOWN IS ESSENTIAL - REFER TO SHEET 36.
 - THRIE BEAM BOLTS FB01 TO BE ALTERNATED BETWEEN TOP AND BOTTOM HOLES TO PREVENT RAIL TWISTING.

▲ SUPERSEDES DRG S-4050 SHEETS 29-35

- ▲ TITLE BLOCK UPDATE AND DETAIL REMOVED
- ▲ IDENTIFIER ADDED
- ▲ SUPERSEDE NOTE ADDED

No.	AMENDMENT DESCRIPTION	BY	CHECK	ACCEPTANCE	DATE
DU	PM	P MOLLOY	27/05/21		
AP	PD	G W CHAPLIN	4/8/05		
AP	PD	G W CHAPLIN	27/6/05		

100 MILLIMETRES ON ORIGINAL A1 DRAWING

ALL DIMENSIONS ARE IN MILLIMETRES UNLESS SHOWN OTHERWISE

UNCONTROLLED COPY WHEN PRINTED

DESIGNED
QUALIFICATION
DATE: DDMM/YYYY
REVIEWER
QUALIFICATION
DATE: DDMM/YYYY
INDEPENDENT DESIGN CERTIFIER (IF REQUIRED)
QUALIFICATION
DATE: DDMM/YYYY

Government of South Australia
Department for Infrastructure and Transport

STANDARD DRAWING
STEEL BEAM GUARDFENCE

W-BEAM AND THRIE BEAM ASSEMBLIES

DESIGNED: A.P.	DRAFTED: DIT	ACCEPTED FOR USE: G.W. CHAPLIN	ACCEPTANCE FORM KNET No.:	DRAWING No.: S - 4050	SHEET No.: 42	AMEND No.: 3
CHECKED: A.P.	REVIEWED: A.N.	DATE: 06/08/2004		LATITUDE:	LONGITUDE:	