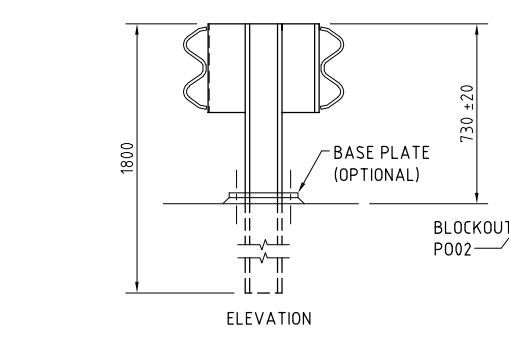


PLAN SCALE 1:50

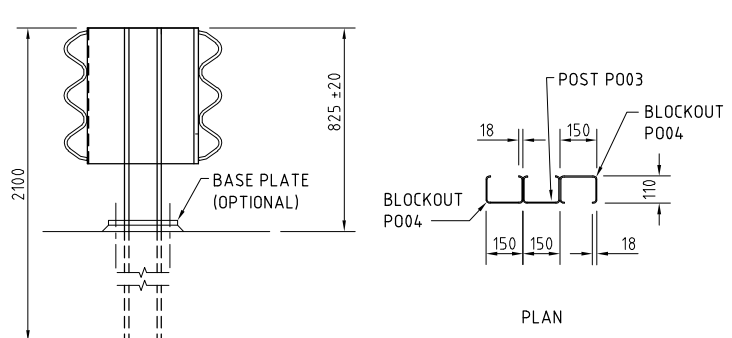


ELEVATION MODIFIED THRIE BEAM - LHS SCALE 1:50

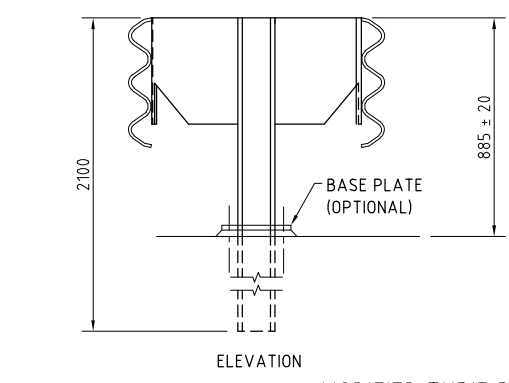


W-BEAM ASSEMBLY

FOR DETAILS OF OPTIONAL BASE PLATE & ANCHOR BOLTS REFER TO SHEET 45

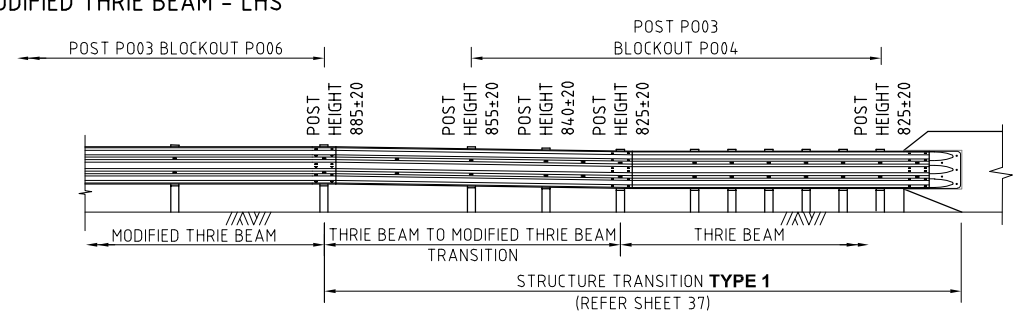


THRIE BEAM ASSEMBLY



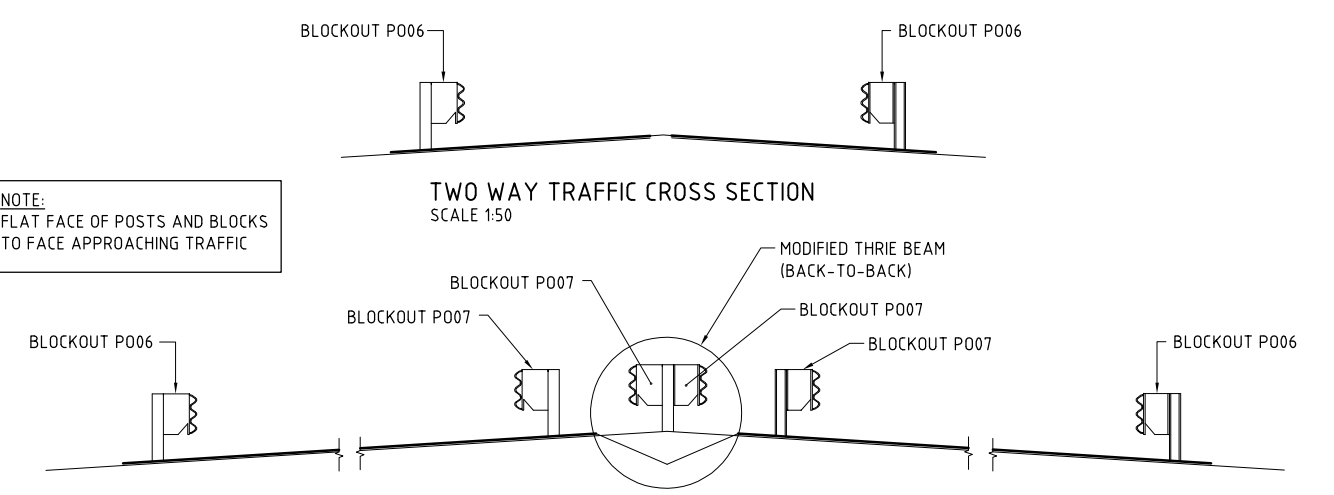
MODIFIED THRIE BEAM ASSEMBLY

W-BEAM AND THRIE BEAM ASSEMBLIES FOR DIVIDED ROADS SCALE NTS



ELEVATION - LHS STRUCTURE TRANSITION TYPE 1 AND MODIFIED THRIE BEAM BARRIER SCALE 1:50

NOTE: FLAT FACE OF POSTS AND BLOCKS TO FACE APPROACHING TRAFFIC



TWO WAY TRAFFIC CROSS SECTION SCALE 1:50

DIVIDED CARRIAGEWAY CROSS SECTION SCALE 1:50

NOTE PUBLIC DOMAIN PRODUCTS TO BE USED ONLY TO MAINTAIN EXISTING INSTALLATIONS.

△ SUPERSEDES DRG S-4050 SHEETS 29-35

No.	AMENDMENT DESCRIPTION	BY	CHECK	ACCEPTANCE	DATE
1	TITLE BLOCK UPDATE, DELETE MELT TERMINAL DETAILS, UPDATE ELEVATION	DU	PM	P MOLLOY	27/05/21
2	P003 & P004 ADDED TO STRUCTURE TRANSITION IDENTIFIER ADDED	AP	PM	A NOBBS	29/9/11
3	SUPERSEDE NOTE ADDED	AP	PD	G W CHAPLIN	4/8/05
4		AP	PD	G W CHAPLIN	27/6/05

DESIGNED	QUALIFICATION	DATE: DDMM/YYYY	REVIEWER	QUALIFICATION	DATE: DDMM/YYYY	INDEPENDENT DESIGN CERTIFIER (IF REQUIRED)	QUALIFICATION	DATE: DDMM/YYYY	DESIGNED: A.P.	DRAFTED: DIT	ACCEPTED FOR USE: G.W. CHAPLIN	ACCEPTANCE FORM KNET No.:	DRAWING No.:	SHEET No.:	AMEND No.:
									S - 4050			38	4		
<p>Government of South Australia</p> <p>Department for Infrastructure and Transport</p>										<p>STANDARD DRAWING</p> <p>STEEL BEAM GUARDFENCE</p>		<p>W / THRIE BEAM INSTALLATION DETAILS 1</p>		<p>LATITUDE:</p> <p>LONGITUDE:</p>	

FILE